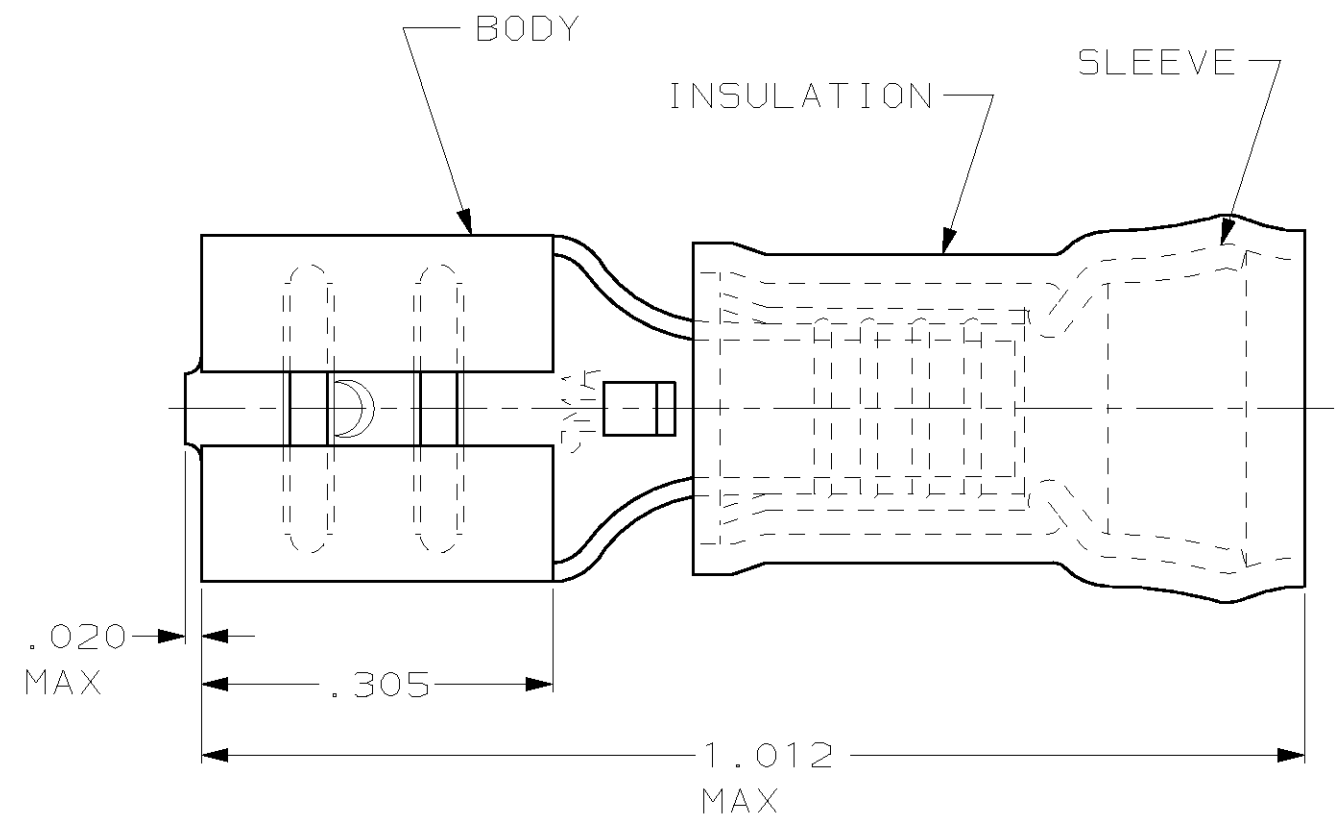
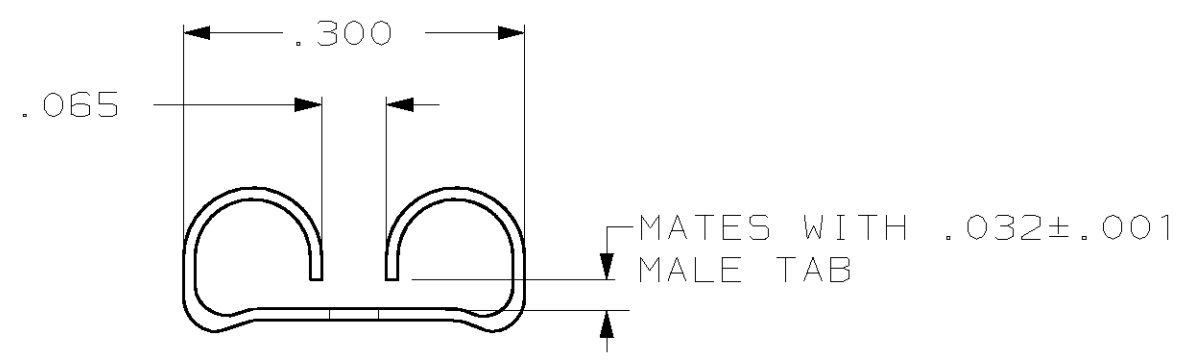


THIS DRAWING IS UNPUBLISHED. RELEASED FOR PUBLICATION ,19 .
 © COPYRIGHT 19 BY AMP INCORPORATED. ALL RIGHTS RESERVED.

LOC	DIST	REVISIONS			
P	LTR	DESCRIPTION	DATE	DWN	APVD
G	14	Z	REV PER 0G3A-0176-02	08APR02	JR TM



1. FOR .250 MAX INSULATION DIA
2. MAX WIRE LIMITED TO 6,470 CMA



OBSOLETE

MATERIAL	QTY	PACKAGE TYPE	PART NO
PHOS BRONZE QQ-B-750	50	LOOSE PIECE, BOX	9-42844-2
BRASS MIL-C-50	100	LOOSE PIECE, BOX	8-42844-1
BRASS MIL-C-50	2500	ON TAPE, REEL	42844-3
PHOS BRONZE QQ-B-750	-	LOOSE PIECE	42844-2
BRASS MIL-C-50	-	LOOSE PIECE	42844-1

AMP INCORPORATED CUSTOMER SERVICE SYSTEM		MAX RECOMMENDED OPERATING TEMPERATURE: -	THIS DRAWING IS A CONTROLLED DOCUMENT FOR AMP INCORPORATED. IT IS SUBJECT TO CHANGE AND THE CONTROLLING ENGINEERING ORGANIZATION SHOULD BE CONTACTED FOR THE LATEST REVISION.		DWN L OLMEDA 26 JUN 95	AMP AMP Incorporated Harrisburg, PA 17105-3608
FOR ADDITIONAL PRODUCT INFORMATION OR COPIES OF DRAWINGS AND TECHNICAL DOCUMENTS	PRODUCT INFORMATION CENTER 1-800-522-6752	VOLTAGE RATING: -	DIMENSIONS: INCHES	TOLERANCES UNLESS OTHERWISE SPECIFIED: 0 PLC ±- 1 PLC ±- 2 PLC ±.015 3 PLC ±- 4 PLC ±- ANGLES ±-	CHK M ELLIS 26 JUN 95	
FOR APPLICATION TOOLING INFORMATION	TOOLING ASSISTANCE CENTER 1-800-722-1111	CIRCULAR MIL AREA: -	MATERIAL BODY, SEE TABLE INSUL, NYLON, COLOR, GREEN		APVD B BARE 26 JUN 95	SIZE A3
FOR ORDER ENTRY	1-800-526-5142		FINISH BODY, TIN PLATE PER MIL-T-10727		PRODUCT SPEC -	CAGE CODE 00779
			MATERIAL BODY, SEE TABLE INSUL, NYLON, COLOR, GREEN		APPLICATION SPEC -	DRAWING NO C-42844
					WEIGHT -	SCALE 6:1
					CUSTOMER DRAWING	SHEET 1 OF 1
						REV Z